

Ezibilt® Secure storage for trolleys at shopping complexes and airports. Easily repaired, adapted or added to.

Ezibilt



Key features

- > Proprietary designs are pre-engineered for structural integrity
- > Modular, no-weld components for simple and fast assembly
- > Easily removable, repaired, modified or extended with off-the-shelf parts
- > Hot dip galvanized steel for enhanced corrosion protection
- > Eliminate design and fabrication costs, hot works permits and site shut-downs

Applications suited to

- > Airports and shopping centres
- > Warehouses and loading bays
- > Pedestrian pathways and footbridges
- > Carparks and community centres
- > Vehicle designation and protection
- > Sports and recreation centres

Specification Summary

Supply and install the proprietary Ezibilt® Trolley Bay system to substrate according to Moddex specifications, or by a Moddex accredited installer.

Technical Data

Material	
Stanchions, rails & balustrades	Steel/grade C250 & 350
Clamp fittings	Malleable Cast iron
Clamp locking screws	Stainless Steel (304)
Protective coating	
Stanchions, rails and balustrades	G390 Hot-dip Galvanized (min 390g/m ²)
Clamp fittings	Hot-dip galvanized with patented protective coating on threads
Optional	Powder coating and paint specs

Dimensions

Variable dimensions depending on the configuration type. See overleaf for detailed dimensions. All configurations are available in wide option.

Stanchions	
Diameter	48.3mm OD 41.9mm ID
Nominal Thickness	3.2mm - 4.0mm (loading dependent)
Rails	
Diameter	48.3mm OD 41.9mm ID
Nominal Thickness	3.2mm
Clamp fittings	
Thickness	5.0mm (approx)
Locking screws	M12 x 1.75 x 11mm - DEXX® Drive

Weight

Variable depending on building/application/code

Stanchion with clamps	7.2 to 8.0kg
Rail @ 6.0m	21.6kg

Fixings

Stanchion attachment to	
Concrete	M12 galvanized mechanical concrete anchor
*Other Fixing options are available on request	

Fixings

Concrete	M16 galvanized mechanical concrete anchor
-----------------	---

Warranty

5 years from date of purchase subject to correct installation, use and maintenance, in accordance with manufacturer's specifications and recommendations, unless otherwise negotiated at the time of purchase.

— Refer maintenance manual

Inspection & Maintenance

Visual inspection for any damage or loose fixings must be done periodically and prior to use. No certified maintenance required. Basic wear and tear preventative maintenance is recommended, as per manufacturer's specifications and recommendations.

— Refer maintenance manual

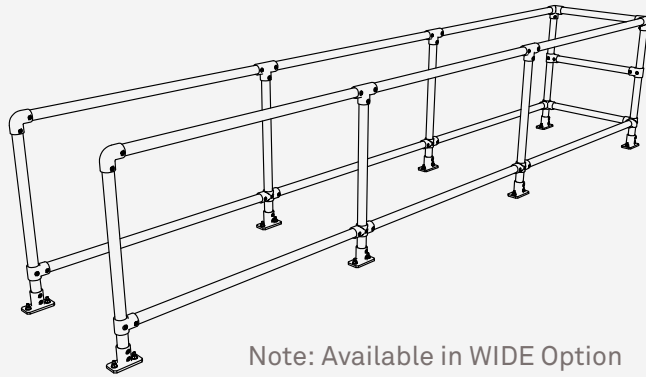
Important Note

Failure to supply and/or install proprietary product in accordance with above specification and installation/usage guidelines voids complete system certification and/or warranty.

Technical Drawing EB10 Trolley Bay - Single Bay

EB10	
Width	750mm
Length	4500mm
Height	920mm

EB10.W	
Width	900mm
Length	4500mm
Height	920mm

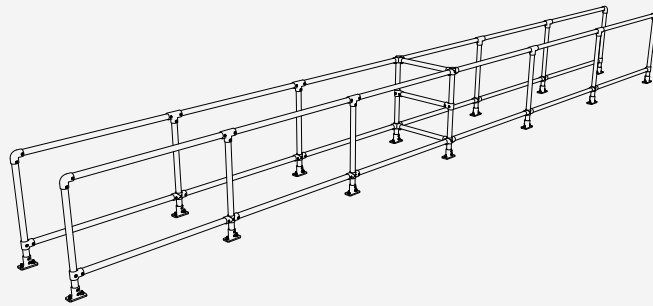


Note: Available in WIDE Option

Technical Drawing EB15 Trolley Bay - Single Bay, Back to Back

EB15	
Width	750mm
Length	9000mm
Height	920mm

EB15.W	
Width	900mm
Length	9000mm
Height	920mm

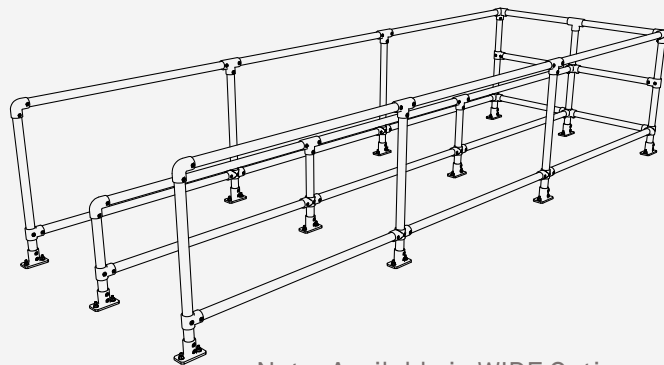


Note: Available in WIDE Option

Technical Drawing EB20 Trolley Bay - Double Bay

EB20	
Width	1500mm
Length	4500mm
Height	920mm

EB20.W	
Width	1800mm
Length	4500mm
Height	920mm

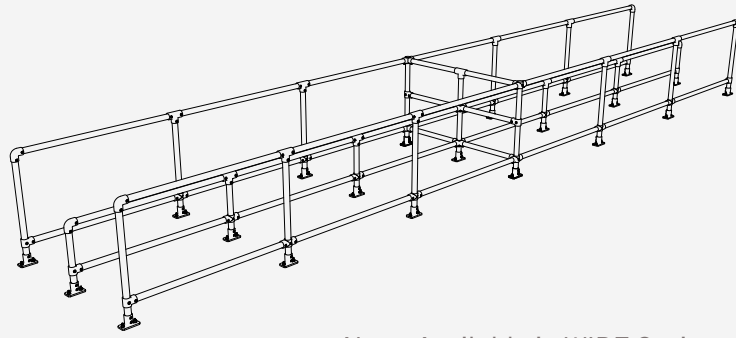


Note: Available in WIDE Option

Technical Drawing EB25 Trolley Bay - Double Bay, Back to Back

EB25	
Width	1500mm
Length	9000mm
Height	920mm

EB25.W	
Width	1800mm
Length	9000mm
Height	920mm

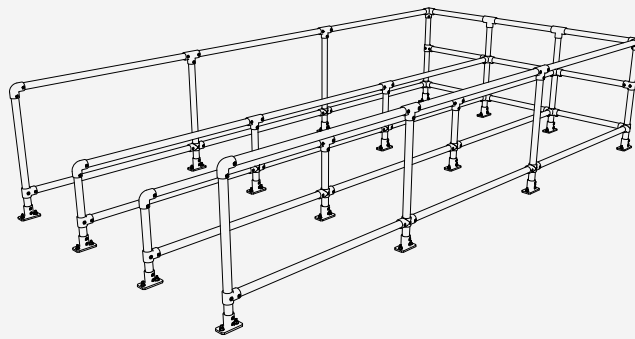


Note: Available in WIDE Option

Technical Drawing EB30 Trolley Bay - Triple Bay

EB30	
Width	2250mm
Length	4500mm
Height	920mm

EB30.W	
Width	2700mm
Length	4500mm
Height	920mm

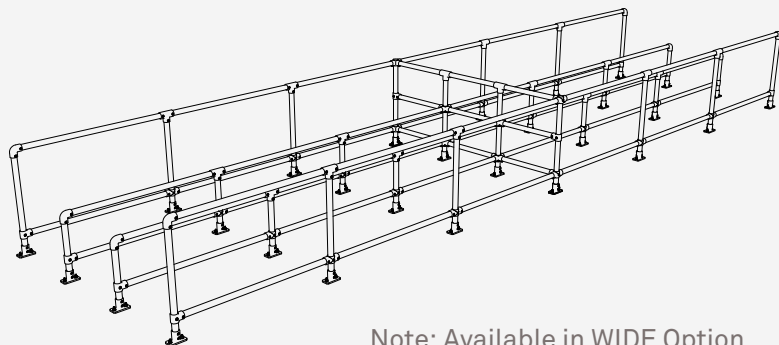


Note: Available in WIDE Option

Technical Drawing EB35 Trolley Bay - Triple Bay, Back to Back

EB35	
Width	2250mm
Length	9000mm
Height	920mm

EB35.W	
Width	2700mm
Length	9000mm
Height	920mm

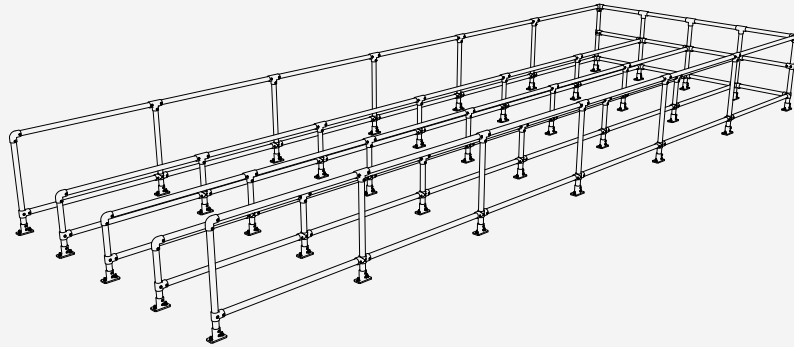


Note: Available in WIDE Option

Technical Drawing EB40 Trolley Bay -4 Bay Corral

EB40	
Width	3000mm
Length	9000mm
Height	920mm

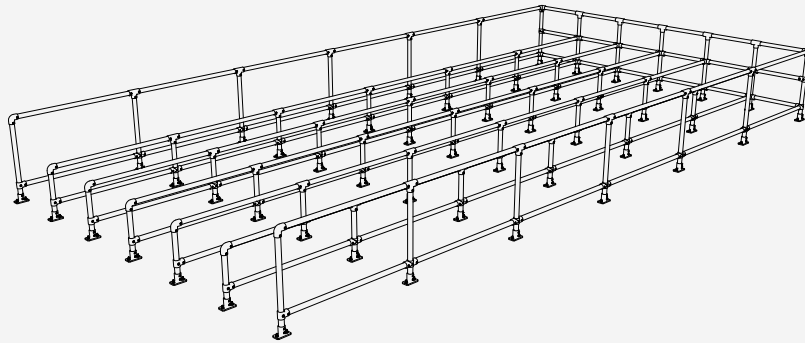
EB40.W	
Width	3600mm
Length	9000mm
Height	920mm



Technical Drawing EB60 Trolley Bay -6 Bay Corral

EB60	
Width	4500mm
Length	9000mm
Height	920mm

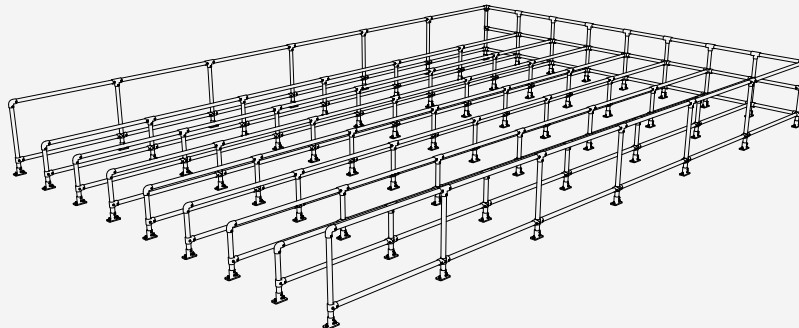
EB60.W	
Width	5400mm
Length	9000mm
Height	920mm



Technical Drawing EB80 Trolley Bay -8 Bay Corral

EB80	
Width	6000mm
Length	9000mm
Height	920mm

EB80.W	
Width	7200mm
Length	9000mm
Height	920mm



EB01 Single Sided Signboard Kit

Measurement
1200 x 900mm
Weight
19.6kg
Material
Aluminium



Note: Retrofittable

EB02 Double Sided Signboard Kit

Measurement
1200 x 900mm
Weight
24.62kg
Material
Aluminium



Note: Retrofittable

EB03 Trolley Bay Wheel Stop

Measurement
165 x 650mm
Weight
3.2kg
Material
HDG



Important Note: Failure to supply and/or install proprietary product in accordance with above Standards and codes, specification and instructions, voids complete system certification and/ or warranty.

Designed and manufactured by Moddex. ©Moddex Group. All Rights Reserved.

For information or technical support please contact us

T 1800 663 339 (AU)

T 0800 663 339 (NZ)

moddex.com